

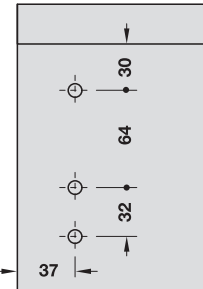
### Stay flap fitting

→ For one-piece flaps made of wood or with aluminium frame



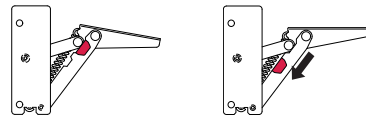
- Material: Steel
- Finish: Nickel plated or plastic coated white
- Version: With automatic swing up and stop
- Adjustment facility: Spring force up to 240 N, opening angle of the flap 75° or 90°, height adjustment
- Installation: For screw fixing into 32 mm series drilled holes

Drilling pattern cabinet side panel



Wooden flap

#### Adjusting the opening angle



Adjusting the opening angle by moving the stop

Opening angle 75°

Opening angle 90°



4

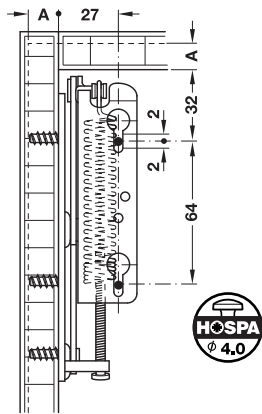
Stay Flap Fittings

→ For flaps made of wood or with wide aluminium frame

#### Installation

#### Sample measurements table

The dimensions apply to flaps made of 19 mm chipboard



Flap height mm	Flap width mm	
	With small handle	With bar handle
300	400–1200	400–1200
350	400–1200	400–800
400	400–900	400–600
450	400–700	400–500
500	400–500	400–400
550	400–400	–

#### Supplied with

- 1 Fitting left or right
- 1 Set of installation instructions

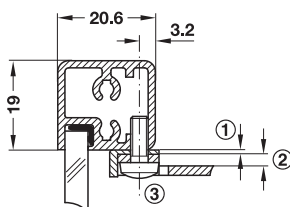
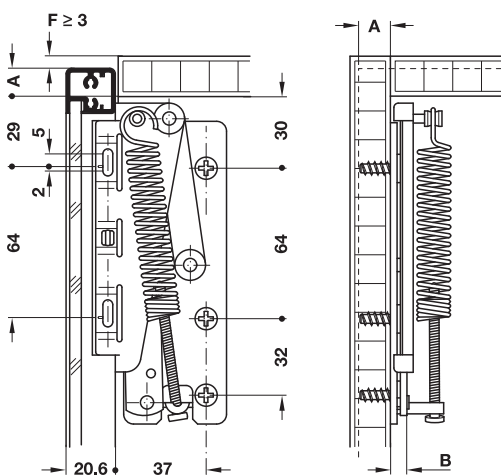
Finish/colour	Mounting	Cat. No.
Nickel plated	Left	372.45.741
	Right	372.45.740
Plastic coated white	Left	372.45.710
	Right	372.45.700

Packing: 1 or 50 pieces

Dim. A = overlay

→ For flaps with 20 mm aluminium frame

#### Installation



- 1 Spacer plate
- 2 Screw-on bracket crank
- 3 Raised head screw

#### Application and planning dimensions

Overlay A mm	Screw-on bracket crank	Spacer plate thickness mm	Dim. B* mm
12	0.5	1	1.5
13	1.5	1	2.5
14	2.5	1	3.5
15	0.5	4	4.5
16	1.5	4	5.5
17	2.5	4	6.5

\* Dimension B = crank + spacer plate

#### Supplied with

- 2 Fitting parts (left and right)
- 2 Spacer plates 1 mm, mounted on the fitting
- 2 Spacer plates 4 mm
- 4 Pan head screws DIN 7985-M4 x 10-Z

Finish	Overlay mm	Cat. No.
Nickel plated	12 or 15	372.47.700
	13 or 16	372.47.701
	14 or 17	372.47.702

Packing: 1 set